

SUBMITTAL SHEET

JOB NAME	ITEM TAG
JOB LOCATION	PART NUMBER
CONTRACTOR	DATE
ENGINEER APPROVAL	DATE

PLASTIC PEX FITTING

Multi-Port Tee

These fittings are intended for use in cold- and hot-water distribution (potable) systems.

An ideal high-strength corrosion-free alternative to metallic fittings.

Barbed end connections are designed for insertion into PEX & PE-RT tubing that conforms to ASTM F876 & F877 (PEX) or F2769 (PE-RT).

Designed for use with copper crimp rings manufactured in compliance with ASTM F1807 and stainless steel clamp rings manufactured in compliance with ASTM F2098.

Manufactured in an ISO accredited facility.

Available with 3/4" or 1" system size connections.

Working Pressure, Non-shock (PSI)

100 psi @ 180°F

DIMENSIONS

Size	A	B	C	D	E
Closed Tee					
3/4" x 3-port	5.25	1.75	1.08	0.67	1.08
3/4" x 4-port	7.00	1.75	1.08	0.67	1.08
1" X 6-port	10.80	1.75	1.30	0.75	1.34
Open Tee					
3/4" x 2-port	3.92	1.75	1.08	1.08	1.08
3/4" x 3-port	5.67	1.75	1.08	1.08	1.08
3/4" x 4-port	7.42	1.75	1.08	1.08	1.08
3/4" x 6-port	10.92	1.75	1.08	1.08	1.08

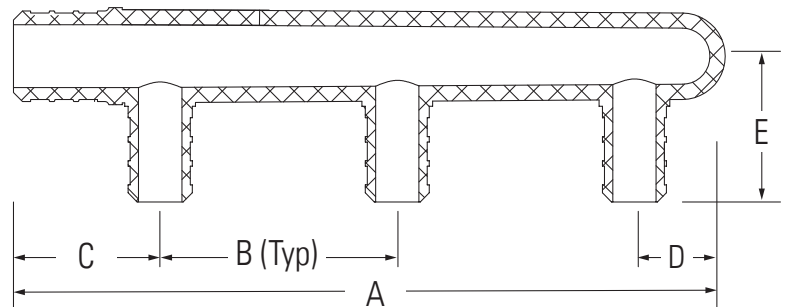
All port connections are 1/2"



Pictured:
PEX Multi-Port
Closed Tee



Pictured:
PEX Multi-Port
Open Tee



Pictured:
PEX Multi-Port
Closed Tee

MATERIAL SPECIFICATION

PART	MATERIAL	SPECIFICATION
1	All plastic PEX fitting configurations	Modified Polyphenylsufone ASTM D6394

Third-party tested and certified to the following standards:

ANSI/NSF 14: Plastic Piping System Components and Related Materials.

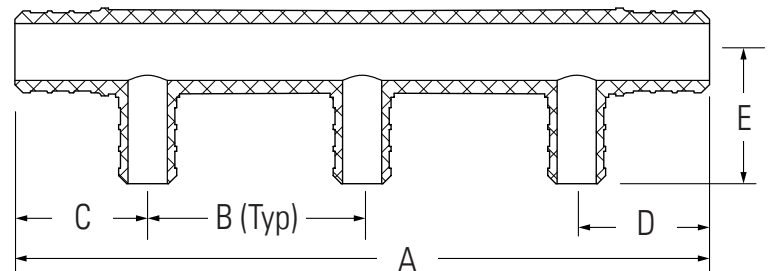
ANSI/NSF 61: Drinking water system components health effects.

ASTM D6396: Standard Specification for Sulfone Plastic Resin.

ASTM F2159: Plastic insert fitting with copper crimp ring.

ASTM F2098: Plastic insert fitting with stainless steel clamp.

CSA C137.5: Thermoplastic Pressure Piping Compendium.



Pictured:
PEX Multi-Port
Open Tee